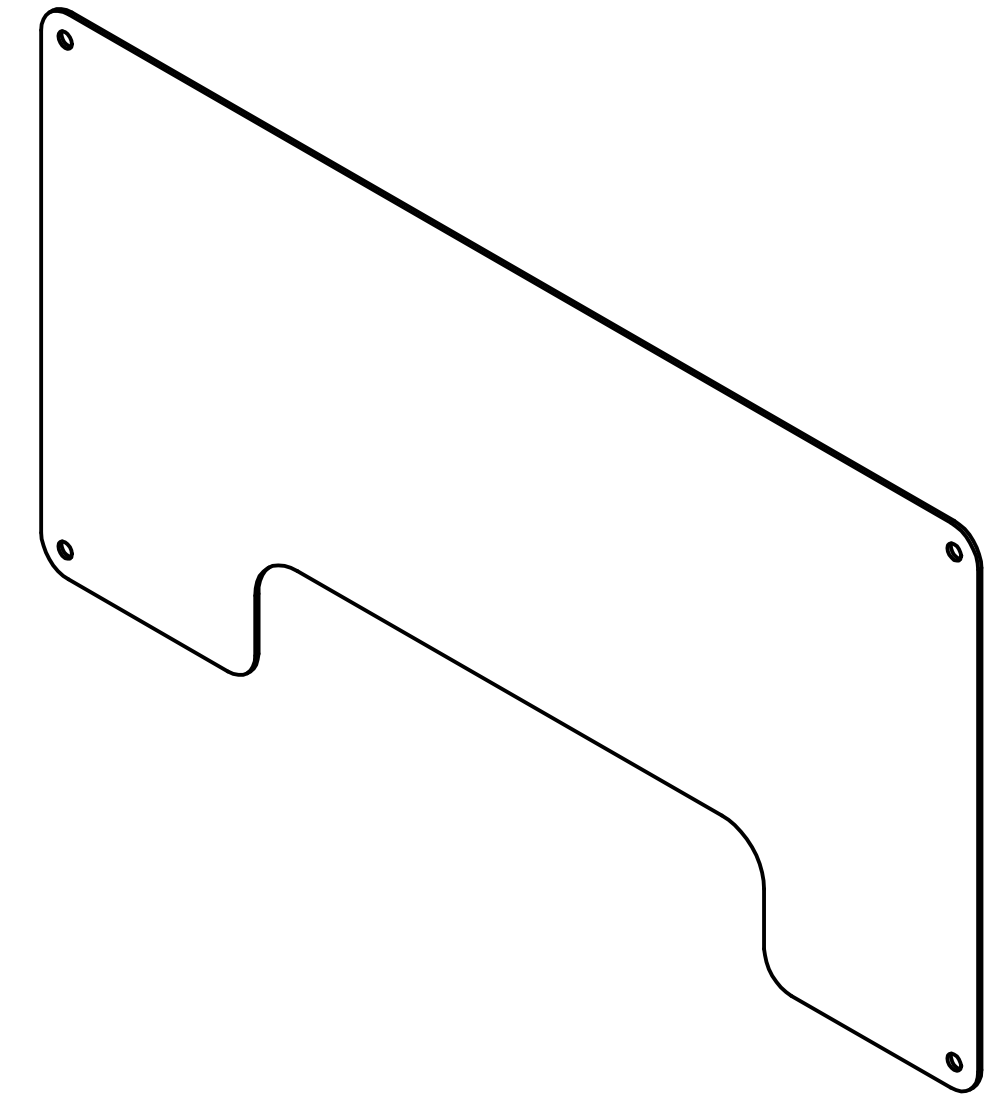
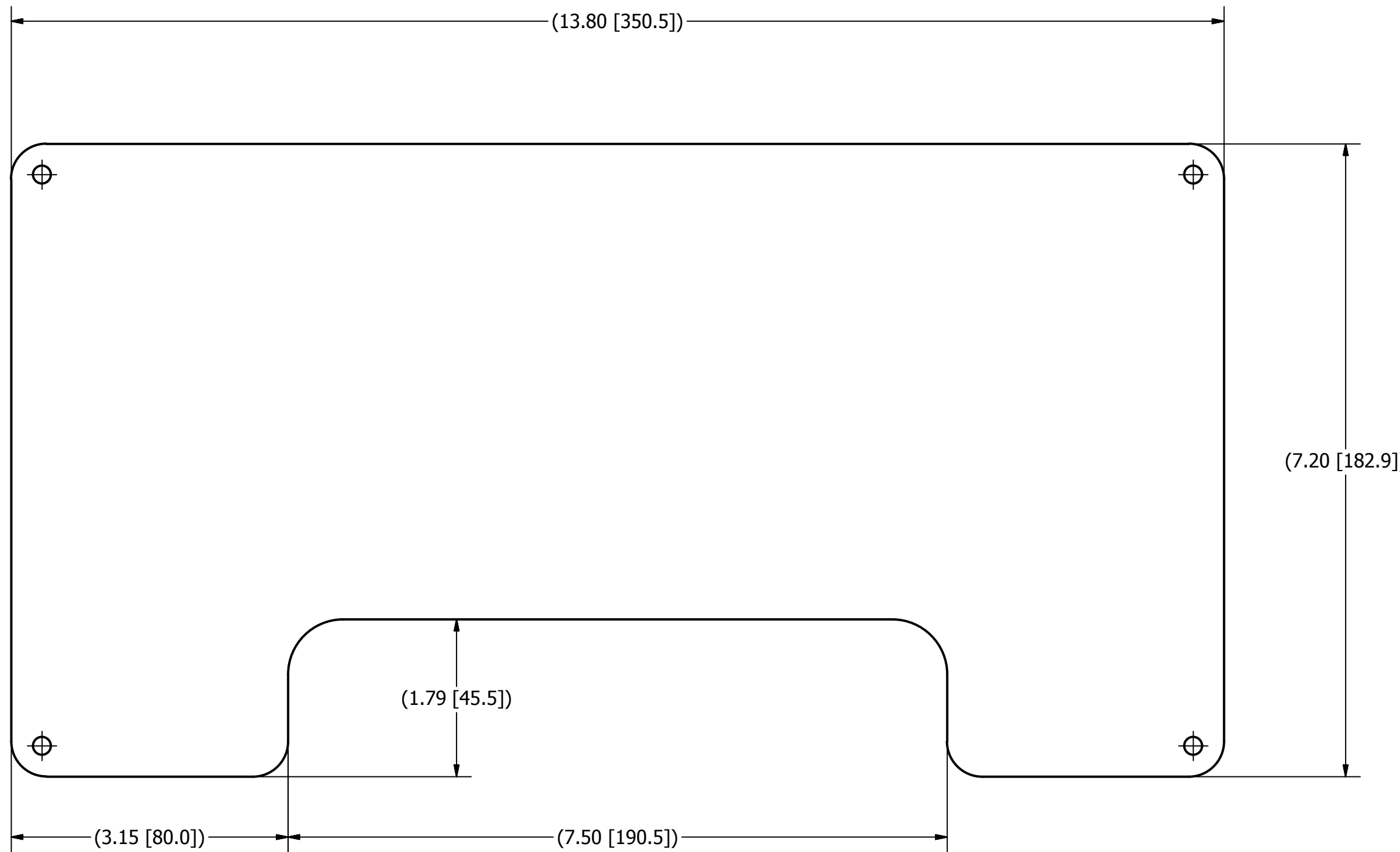


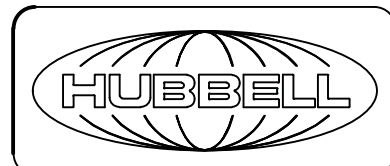
ITEM #	DESCRIPTION	QTY.
1	COVER, FPTV LARGE	1
2	SCREW, #6 SELF THREADING	4

CATALOG	COLOR	DESCRIPTION
NSAV12C	WHITE	COVER, FPTV LARGE



NOTES:

- REFER TO INSTALLATION INSTRUCTIONS.
- SPECIFICATIONS SUBJECT TO CHANGE WITHOUT NOTICE.

Created on INVENTOR	DIMENSIONING AND TOLERANCE PER ANSI Y14.5M-1982 UNLESS OTHERWISE SPECIFIED, DIMENSIONS ARE IN INCHES (MM). TOLERANCES: XX = ±.01 (.25) .XXX = ±.005 (.127) .XXXX = ±.0025 (.0635) ANGLE TOL ±1°		PROJECT REFERENCE: NPD-00206		 Hubbell Premise Wiring HUBBELL INCORPORATED (Delaware) 23 CLARA DRIVE, SUITE 103 MYSTIC, CT 06355	
	IN ACCEPTING OUR DRAWINGS, BLUEPRINTS, OR SUPPORTING DOCUMENTATION FOR QUOTATION OR OTHER PURPOSES, YOU AGREE NOT TO DISCLOSE TO OTHERS THE IDEAS, INFORMATION, OR DESIGNS SHOWN HEREIN, AND THAT YOU WILL MAKE NO USE OF SAME WITHOUT PERMISSION		MATERIAL: C.R.S.			TITLE: COVER, FPTV LARGE
			DRAWN BY: D.O'CONNOR 5/12/15		SIZE C	DRAWING NO. HWS14478C
			CHECKED BY:		SCALE:	REV. 1
		APPROVED BY:		SHEET 1 OF 1		

REV.	ECN	DATE	DESCRIPTION	CHG BY	APPD BY
1	19630	5/13/15	INITIAL RELEASE	DPO	